

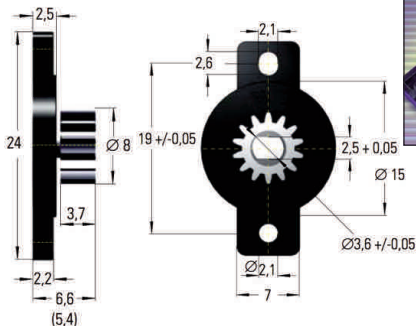
HPCFRTG2

Body: Polycarbonate plastic

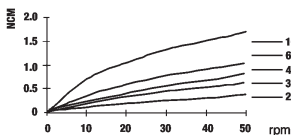
Gear: Polyacetal Plastic

Fluid: Silicone

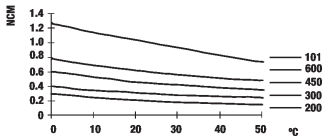
Mechanical Rotary Dampers Bi - Directional



FRT-G2 (at 23°C)



FRT-G2 (at 20 rpm)



Material: polycarbonate plastic
Temperature range: 0° C to 50° C

Tooth: Involute
Module: 0.5
Pressure angle: 20°
Number of teeth: 14
P.C.D.: 7 mm

DISCOUNTS

Quantity	Discount
1 - 24	List Price
25 - 49	-15%
50 - 99	-25%
100 - 249	-35%
250 - 499	-50%
500 +	-60%

0.5 mod matching plastic racks available up to 1 metre. Units are supplied with removable gear.

PART NUMBER	Damping Torque Ncm	Price Each 1-24
HPCFRTG2200G1	0.20 \pm 0.07	£5.22
HPCFRTG2300G1	0.30 \pm 0.08	£5.22
HPCFRTG2450G1	0.45 \pm 0.10	£5.22
HPCFRTG2600G1	0.60 \pm 0.12	£5.22
HPCFRTG2101G1	1.00 \pm 0.20	£5.22

