

# Shafts & Bearings

Material

## Pillow Block

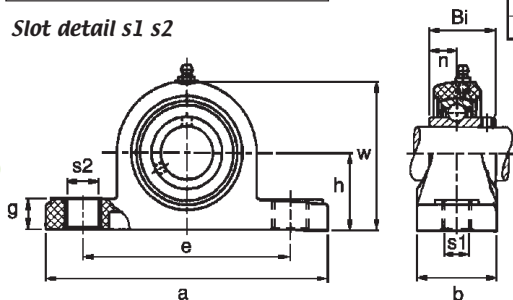
PBT High-grade Glass-filled Thermoplastic Polyester



### DISCOUNTS

Quantity	List Price
1 - 5	
6-19	-12%
20-39	-25%
40-59	-33%
60-99	-37%
100-199	-42%
200-499	-45%
500+	-48%

Slot detail s1 s2



PART NUMBER	Bearing Bore Dia.		Dimensions (mm)				
	mm	inch	h	a	e	b	s1
HPCPPL204S/S	20	3/4	33.3	127	95	38	11
HPCPPL205S/S	25	13/16, 7/8, 15/16, 1	36.5	140.5	105	38	11
HPCPPL206S/S	30	1 1/16, 1 1/8, 1 3/16, 1 1/4	42.9	163	119	46	14
HPCPPL207S/S	35	1 1/4, 1 5/16, 1 3/8, 1 7/16	47.6	168	127	48	14
HPCPPL208S/S	40	1 1/2, 1 9/16	49.2	184	137	54	14

PART NUMBER	Dimensions (mm)					Weight (kg)	Max. Torque		PRICE EACH 1-5
	s2	g	w	Bi	n		Bolt Dia.	Nm	
HPCPPL204S/S	14	14.2	65.5	31	12.7	0.12	M10	18	£49.76
HPCPPL205S/S	14	14.5	71	34	14.3	0.14	M10	25	£54.60
HPCPPL206S/S	18	17.8	84	38.1	15.9	0.20	M12	30	£77.56
HPCPPL207S/S	18	18	94.5	42.9	17.5	0.25	M12	35	£92.18
HPCPPL208S/S	18	19.5	99	49.2	19	0.35	M12	45	£102.48

## Material

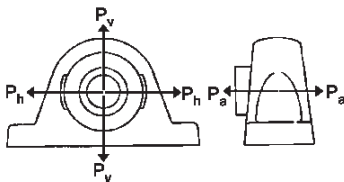
PBT High-grade Glass-filled Thermoplastic Polyester

# Shafts & Bearings

## Pillow Block

- **Material: PBT**
- **Interchangeable with Cast Iron Housing**
- **Suitable for temperatures from  $-35^{\circ}\text{C}$  to  $102^{\circ}\text{C}$**
- **Stainless steel grease nipples as standard**
- **FDA approved**
- **Closed end cover as standard**
- **Solid base**

### Housing tear-out strength



MODE OF LOAD	Breaking Point of Housing (N)				
	204	205	206	207	208
$P_h$	8800	13700	12650	12750	13100
$P_v$	7700	10000	10600	10800	11100
$P_a$	5000	8100	5750	7500	8500