

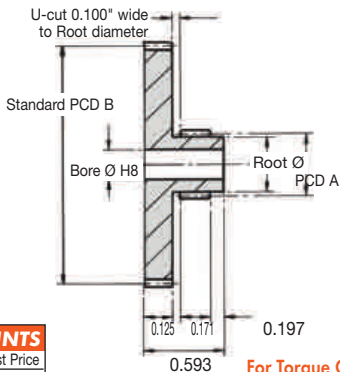
Materials

Double Spur Gears

STD : *Stainless Steel 303S21 (En58)*

ALTERNATIVES : *Steel, Brass, Tufnol or Delrin*

64 DP



20° Pressure Angle

Other numbers of teeth available

Torque is dependent upon the type of pinions used

DISCOUNTS

| 1 - 5 | List Price |
|-----------|------------|
| 6 - 19 | - 12% |
| 20 - 39 | - 25% |
| 40 - 59 | - 33% |
| 60 - 99 | - 37% |
| 100 - 200 | - 42% |

For Torque Checks see Std. Spur Gears

For Corrected Teeth see Technical pages

NOTE: Certain sizes may need to be manufactured in 2 pieces

ALL DIMENSIONS IN INCHES

| PART NUMBER | PITCH | TEETH | | P.C.D. | | BORE Ø | ROOT Ø | PRICE EACH |
|-------------|-------|--------|--------|--------|--------|--------|--------|------------|
| | | GEAR A | GEAR A | GEAR B | GEAR B | | | |
| DG64-16/32 | 64 | 16 | 0.265 | 32 | 0.500 | 0.125 | 0.200 | £23.67 |
| DG64-16/48 | 64 | 16 | 0.265 | 48 | 0.750 | 0.125 | 0.200 | £25.08 |
| DG64-16/64 | 64 | 16 | 0.265 | 64 | 1.000 | 0.125 | 0.200 | £25.81 |
| DG64-16/80 | 64 | 16 | 0.265 | 80 | 1.250 | 0.125 | 0.200 | £26.11 |
| DG64-16/96 | 64 | 16 | 0.265 | 96 | 1.500 | 0.125 | 0.200 | £26.27 |
| DG64-16/112 | 64 | 16 | 0.265 | 112 | 1.750 | 0.125 | 0.200 | £27.07 |
| DG64-20/30 | 64 | 20 | 0.312 | 30 | 0.469 | 0.156 | 0.263 | £25.08 |
| DG64-20/50 | 64 | 20 | 0.312 | 50 | 0.781 | 0.156 | 0.263 | £25.81 |
| DG64-20/70 | 64 | 20 | 0.312 | 70 | 1.094 | 0.156 | 0.263 | £26.11 |
| DG64-20/90 | 64 | 20 | 0.312 | 90 | 1.406 | 0.156 | 0.263 | £26.27 |
| DG64-20/110 | 64 | 20 | 0.312 | 110 | 1.718 | 0.156 | 0.263 | £27.07 |
| DG64-24/30 | 64 | 24 | 0.375 | 30 | 0.469 | 0.187 | 0.325 | £24.10 |
| DG64-24/44 | 64 | 24 | 0.375 | 44 | 0.688 | 0.187 | 0.325 | £25.08 |
| DG64-24/64 | 64 | 24 | 0.375 | 64 | 1.000 | 0.187 | 0.325 | £25.81 |
| DG64-24/84 | 64 | 24 | 0.375 | 84 | 1.312 | 0.187 | 0.325 | £26.11 |
| DG64-24/96 | 64 | 24 | 0.375 | 96 | 1.500 | 0.187 | 0.325 | £26.27 |
| DG64-24/120 | 64 | 24 | 0.375 | 120 | 1.875 | 0.187 | 0.325 | £27.07 |
| DG64-30/45 | 64 | 30 | 0.469 | 45 | 0.703 | 0.187 | 0.419 | £25.08 |
| DG64-30/60 | 64 | 30 | 0.469 | 60 | 0.937 | 0.187 | 0.419 | £25.81 |
| DG64-30/90 | 64 | 30 | 0.469 | 90 | 1.406 | 0.187 | 0.419 | £26.27 |
| DG64-30/120 | 64 | 30 | 0.469 | 120 | 1.875 | 0.187 | 0.419 | £27.07 |
| DG64-30/150 | 64 | 30 | 0.469 | 150 | 2.344 | 0.187 | 0.419 | £29.07 |

Unit 14, Foxwood Ind. Park, Foxwood Rd. Chesterfield, Derbyshire S41 9RN

Telephone +44(0)1246 268080 Fax +44(0)1246 260003



18.9

Double Gears DP 64