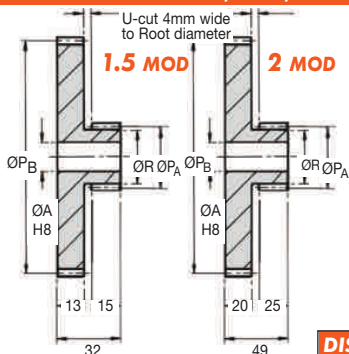


Double Spur Gears

Materials

1.5, 2 MOD

STD : Steel 214M15/045M10
ALTERNATIVES : Stainless, Brass, Tufnol or Delrin



20° Pressure Angle

Other numbers of teeth available

Torque is dependent upon the type of pinions used.

For Torque Checks see Std. Spur Gears

For Corrected Teeth see Technical pages

NOTE: Certain sizes may need to be manufactured in 2 pieces

ALL DIMENSIONS IN MILLIMETRES

DISCOUNTS

Quantity	List Price
1 - 5	-
6 - 19	- 12%
20 - 39	- 25%
40 - 59	- 33%
60 - 99	- 37%
100 - 200	- 42%

MOD 1.5/2
Double Gears

PART NUMBER	TEETH PITCH	TEETH GEAR A	PCD GEAR A	TEETH GEAR B	PCD GEAR B	BORE Ø	ROOT Ø	PRICE EACH 1 - 5
DG1.5-16/24	1.5	16	24	24	36	10	20	£51.62
DG1.5-16/32	1.5	16	24	32	48	10	20	£52.93
DG1.5-16/48	1.5	16	24	48	72	10	20	£64.41
DG1.5-16/64	1.5	16	24	64	96	10	20	£78.36
DG1.5-16/80	1.5	16	24	80	120	10	20	£125.55
DG1.5-16/120	1.5	16	24	120	180	10	20	£214.20
DG1.5-20/40	1.5	20	30	40	60	10	26	£60.26
DG1.5-20/60	1.5	20	30	60	90	10	26	£78.36
DG1.5-20/80	1.5	20	30	80	120	10	26	£94.35
DG1.5-20/100	1.5	20	30	100	150	10	26	£135.44
DG1.5-20/120	1.5	20	30	120	180	10	26	£214.20
DG2-15/30	2.0	15	30	30	60	15	24	£69.26
DG2-15/45	2.0	15	30	45	90	15	24	£91.70
DG2-15/60	2.0	15	30	60	120	15	24	£166.53
DG2-15/75	2.0	15	30	75	150	15	24	£198.26
DG2-15/90	2.0	15	30	90	180	15	24	£222.01
DG2-15/120	2.0	15	30	120	240	15	24	£391.60
DG2-20/40	2.0	20	40	40	80	15	34	£88.88
DG2-20/60	2.0	20	40	60	120	15	34	£173.16
DG2-20/80	2.0	20	40	80	160	15	34	£218.46
DG2-20/100	2.0	20	40	100	200	15	34	£307.15
DG2-20/120	2.0	20	40	120	240	15	34	£391.60

18.6



Unit 14, Foxwood Ind. Park, Foxwood Rd. Chesterfield, Derbyshire S41 9RN
Telephone +44(0)1246 268080 Fax +44(0)1246 260003