

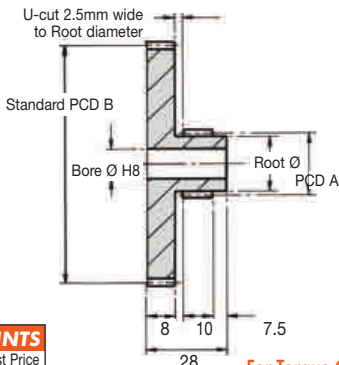
Materials

Double Spur Gears

STD : **Steel 214M15/045M10**

ALTERNATIVES : **Stainless, Brass, Tufnol or Delrin**

1, 1.25 MOD



20° Pressure Angle

Other numbers of teeth available

Torque is dependent upon the type of pinions used

DISCOUNTS

1 - 5	List Price
6 - 19	- 12%
20 - 39	- 25%
40 - 59	- 33%
60 - 99	- 37%
100 - 200	- 42%

For Torque Checks see Std. Spur Gears

For Corrected Teeth see Technical pages

NOTE: Certain sizes may need to be manufactured in 2 pieces

ALL DIMENSIONS IN MILLIMETRES

PART NUMBER	TEETH		PCD		TEETH		PCD		BORE Ø	ROOT Ø	PRICE EACH
	PITCH	GEAR A	GEAR A	GEAR B	GEAR B	GEAR B	GEAR B				
DG1-15/30	1.00	15	16.00	30	30	8	12.05	£30.22			
DG1-15/40	1.00	15	16.00	40	40	8	12.05	£30.79			
DG1-15/45	1.00	15	16.00	45	45	8	12.05	£31.62			
DG1-15/50	1.00	15	16.00	50	50	8	12.05	£32.15			
DG1-15/60	1.00	15	16.00	60	60	8	12.05	£32.90			
DG1-15/70	1.00	15	16.00	70	70	8	12.05	£34.00			
DG1-20/30	1.00	20	20.00	30	30	10	17.05	£30.79			
DG1-20/40	1.00	20	20.00	40	40	10	17.05	£31.62			
DG1-20/50	1.00	20	20.00	50	50	10	17.05	£32.15			
DG1-20/60	1.00	20	20.00	60	60	10	17.05	£32.90			
DG1-20/70	1.00	20	20.00	70	70	10	17.05	£34.00			
DG1.25-12/24	1.25	12	16.25	24	30	8	11.73	£30.22			
DG1.25-12/32	1.25	12	16.25	32	40	8	11.73	£31.21			
DG1.25-12/36	1.25	12	16.25	36	45	8	11.73	£31.62			
DG1.25-12/40	1.25	12	16.25	40	50	8	11.73	£32.15			
DG1.25-12/48	1.25	12	16.25	48	60	8	11.73	£32.90			
DG1.25-12/60	1.25	12	16.25	60	75	8	11.73	£34.00			
DG1.25-16/24	1.25	16	21.25	24	30	10	16.73	£30.79			
DG1.25-16/32	1.25	16	21.25	32	40	10	16.73	£31.62			
DG1.25-16/36	1.25	16	21.25	36	45	10	16.73	£32.15			
DG1.25-16/48	1.25	16	21.25	48	60	10	16.73	£32.90			
DG1.25-16/60	1.25	16	21.25	60	75	10	16.73	£34.00			

Unit 14, Foxwood Ind. Park, Foxwood Rd. Chesterfield, Derbyshire S41 9RN

Telephone +44(0)1246 268080 Fax +44(0)1246 260003



18.5

Double Gears MOD 1, 1.25