

Bevel Gears 1:1

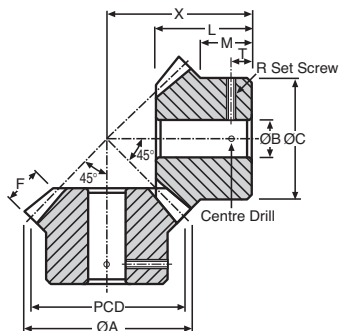
Materials

0.8 - 1.5 MOD

STD : Steel 080M40 (En8)
Gleason Cutting - Conikron System



Tooth Form: BS545
20° Pressure Angle



NOTE: Other materials available.
Please contact our sales dept. for information.

MOD 0.8-1.5

DISCOUNTS

Quantity	List Price
1 - 5	-
6 - 19	- 5%
20 - 39	- 10%
40 - 59	- 15%
60 - 99	- 20%
100 - 200	- 25%

Bevel Gears Steel

PART NUMBER	TEETH	MOD	PCD	X	ØA	ØB	ØC	L	M	F	R	T	PRICE EA. 1-5
GCB1.5-20	20	1.5	30.00	35	32.12	10	26	23.82	18.00	4.20	M4	10.00	£20.73
GCB1.5-25	25		37.50	35	39.62	10	32	20.85	13.50	5.30	M4	7.00	£24.10
GCB1.5-30	30		45.00	35	47.12	10	38	17.84	9.00	6.35	M4	5.00	£25.53
GCB1.25-20	20	1.25	25.00	23	26.76	8	22	13.68	9.01	3.50	M4	3.50	£20.09
GCB1.25-25	25		31.25	28	33.00	8	25	16.19	9.26	4.40	M4	3.50	£22.66
GCB1.25-30	30		37.50	36	39.30	10	30	21.70	13.50	5.30	M4	5.00	£22.76
GCB1-20	20	1	20.00	25	21.41	8	18	17.54	14.01	2.80	M4	8.00	£19.13
GCB1-25	25		25.00	25	26.41	8	22	15.54	11.01	3.50	M4	6.00	£20.42
GCB1-30	30		30.00	25	31.41	8	26	13.53	8.00	4.20	M4	5.00	£21.73
GCB0.8-16	16	0.8	12.80	20	13.93	5	10	15.32	12.21	1.80	M3	7.00	£15.98
GCB0.8-20	20		16.00	20	17.13	5	13	14.04	10.51	2.25	M3	6.00	£16.73
GCB0.8-25	25		20.00	20	21.13	6	16	12.43	8.00	2.80	M3	5.00	£17.36
GCB0.8-30	30		24.00	20	25.13	6	20	10.82	6.00	3.35	M3	4.00	£18.78

14.26



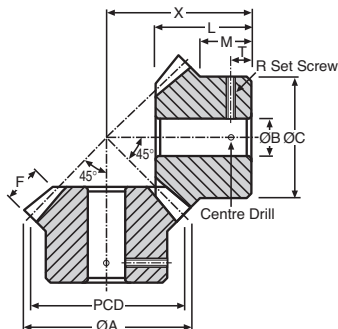
Unit 14, Foxwood Ind. Park, Foxwood Rd. Chesterfield, Derbyshire S41 9RN
Telephone +44(0)1246 268080 Fax +44(0)1246 260003

Materials

STD : White Delrin
Gleason Cutting - Conikron System

Bevel Gears 1:1

0.8 - 1.5 MOD



Tooth Form: BS545
20° Pressure Angle

DISCOUNTS

Quantity	Discount
1 - 5	List Price
6 - 19	- 5%
20 - 39	- 10%
40 - 59	- 15%
60 - 99	- 20%
100 - 200	- 25%

PART NUMBER	TEETH	MOD	PCD	X	ØA	ØB	ØC	L	M	F	R	T	PRICE EA. 1-5
GCZB1.5-20	20	1.5	30.00	35	32.12	10	26	23.82	18.00	4.20	M4	10.00	£12.66
GCZB1.5-25	25		37.50	35	39.62	10	32	20.85	13.50	5.30	M4	7.00	£14.72
GCZB1.5-30	30		45.00	35	47.12	10	38	17.84	9.00	6.35	M4	5.00	£15.57
GCZB1.25-20	20	1.25	25.00	23	26.76	8	22	13.68	9.01	3.50	M4	3.50	£11.86
GCZB1.25-25	25		31.25	28	33.00	8	25	16.19	9.26	4.40	M4	3.50	£14.25
GCZB1.25-30	30		37.50	36	39.30	10	30	21.70	13.50	5.30	M4	5.00	£15.20
GCZB1-20	20	1	20.00	25	21.41	8	18	17.54	14.01	2.80	M4	8.00	£11.67
GCZB1-25	25		25.00	25	26.41	8	22	15.54	11.01	3.50	M4	6.00	£12.43
GCZB1-30	30		30.00	25	31.41	8	26	13.53	8.00	4.20	M4	5.00	£13.28
GCZB0.8-16	16	0.8	12.80	20	13.93	5	10	15.32	12.21	1.80	M3	7.00	£9.76
GCZB0.8-20	20		16.00	20	17.13	5	13	14.04	10.51	2.25	M3	6.00	£10.19
GCZB0.8-25	25		20.00	20	21.13	6	16	12.43	8.00	2.80	M3	5.00	£13.41
GCZB0.8-30	30		24.00	20	25.13	6	20	10.82	6.00	3.35	M3	4.00	£13.63

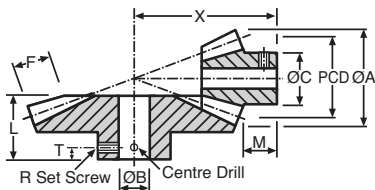
Bevel Gears Plastic MOD 0.8-1.5



Bevel Gears 2:1, 3:1, 4:1 Materials

0.8 - 1.5 MOD

STD : Steel 080M40 (En8)
Gleason Cutting - Conikron System



Tooth Form: BS545
20° Pressure Angle

DISCOUNTS

Quantity	List Price
1 - 5	-
6 - 19	- 5%
20 - 39	- 10%
40 - 59	- 15%
60 - 99	- 20%
100 - 200	- 25%

NOTE: Other materials available.
Please contact our sales dept. for information.

MOD 0.8-1.5
Bevel Gears Steel

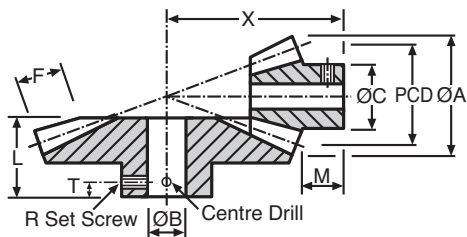
PART NUMBER	TEETH	MOD	PCD	X	ØA	ØB	ØC	L	M	F	R	T	PRICE EA. 1-5
GCDB1.5-15	15	1.5	22.50	35.00	25.18	10	21	17.51	12.13	5.00	M4	5.00	£20.81
GCDB1.5-30	30		45.50	27.00	46.34	10	30	19.06	11.00	5.00	M4	5.00	£26.66
GCDB1-15	15	1	15.00	24.00	16.78	6	14	12.35	8.76	3.35	M4	4.00	£19.06
GCDB1-30	30		30.00	18.00	30.89	10	25	12.71	7.00	3.35	M4	4.00	£23.47
GCDB0.8-15	15	0.8	12.00	20.00	13.43	5	10	10.65	7.50	2.65	M3	3.50	£16.81
GCDB0.8-30	30		24.00	14.00	24.71	8	20	9.76	5.50	2.65	M3	3.50	£19.82
GCTB1.5-15	15	1.5	22.50	45.00	25.34	10	18	18.36	10.51	7.10	M4	5.00	£16.60
GCTB1.5-45	45		67.50	32.00	68.44	15	50	24.14	12.00	7.10	M4	6.00	£27.26
GCTB1-15	15	1	15.00	32.00	16.89	6	13	14.21	9.18	4.70	M4	4.50	£16.19
GCTB1-45	45		45.00	24.00	45.63	10	40	18.74	10.00	4.70	M4	5.00	£24.02
GCTB0.8-15	15	0.8	12.00	28.00	13.51	5	10	14.03	9.95	3.75	M3	5.00	£14.91
GCTB0.8-45	45		36.00	20.00	36.50	8	28	15.79	8.00	3.75	M3	4.00	£22.47
GCFB1.5-15	15	1.5	22.50	60.00	25.41	10	18	24.26	14.44	9.25	M4	6.00	£18.55
GCFB1.5-60	60		90.00	35.00	90.72	15	50	27.16	12.00	9.25	M4	6.00	£28.78
GCFB1-15	15	1	15.00	45.00	16.94	6	13	21.16	14.76	6.15	M4	7.00	£17.78
GCFB1-60	60		60.00	30.00	60.48	10	40	24.77	12.00	6.15	M4	6.00	£25.80
GCFB0.8-15	15	0.8	12.00	35.00	13.55	5	10	15.91	10.76	4.90	M3	5.00	£15.90
GCFB0.8-60	60		48.00	20.00	48.38	8	30	15.81	8.00	4.90	M3	4.00	£24.16



Materials **Bevel Gears 2:1, 3:1, 4:1**

STD : White Delrin
Gleason Cutting - Conikron System

0.8 - 1.5 MOD



Tooth Form: BS545
20° Pressure Angle

DISCOUNTS

Quantity	Discount
1 - 5	List Price
6 - 19	- 5%
20 - 39	- 10%
40 - 59	- 15%
60 - 99	- 20%
100 - 200	- 25%

PART NUMBER	TEETH	MOD	PCD	X	ØA	ØB	ØC	L	M	F	R	T	PRICE EA. 1-5
GCZDB1.5-15	15	1.5	22.50	35.00	25.18	10	21	17.51	12.13	5.00	M4	5.00	£12.48
GCZDB1.5-30	30		45.00	27.00	46.34	10	30	19.06	11.00	5.00	M4	5.00	£15.98
GCZDB1-15	15	1	15.00	24.00	16.78	6	14	12.35	8.76	3.35	M4	4.00	£11.49
GCZDB1-30	30		30.00	18.00	30.89	10	25	12.71	7.00	3.35	M4	4.00	£14.12
GCZDB0.8-15	15	0.8	12.00	20.00	13.43	5	10	10.65	7.50	2.65	M3	3.50	£10.09
GCZDB0.8-30	30		24.00	14.00	24.71	8	20	9.76	5.50	2.65	M3	3.50	£11.92
GCZTB1.5-15	15	1.5	22.50	45.00	25.34	10	18	18.36	10.51	7.10	M4	5.00	£9.98
GCZTB1.5-45	45		67.50	32.00	68.44	15	50	24.14	12.00	7.10	M4	6.00	£16.42
GCZTB1-15	15	1	15.00	32.00	16.89	6	13	14.21	9.18	4.70	M4	4.50	£9.74
GCZTB1-45	45		45.00	24.00	45.63	10	40	18.74	10.00	4.70	M4	5.00	£14.46
GCZTB0.8-15	15	0.8	12.00	28.00	13.51	5	10	14.03	9.95	3.75	M3	5.00	£8.94
GCZTB0.8-45	45		36.00	20.00	36.50	8	28	15.79	8.00	3.75	M3	4.00	£13.48
GCZFB1.5-15	15	1.5	22.50	60.00	25.41	10	18	24.26	14.44	9.25	M4	6.00	£11.13
GCZFB1.5-60	60		90.00	35.00	90.72	15	50	27.16	12.00	9.25	M4	6.00	£17.34
GCZFB1-15	15	1	15.00	45.00	16.94	6	13	21.16	14.73	6.15	M4	7.00	£10.72
GCZFB1-60	60		60.00	30.00	60.48	10	40	24.77	12.00	6.15	M4	6.00	£15.49
GCZFB0.8-15	15	0.8	12.00	35.00	13.55	5	10	15.91	10.76	4.90	M3	5.00	£9.60
GCZFB0.8-60	60		48.00	20.00	48.38	8	30	15.81	8.00	4.90	M3	4.00	£14.72

Bevel Gears Plastic MOD 0.8-1.5

Unit 14, Foxwood Ind. Park, Foxwood Rd. Chesterfield, Derbyshire S41 9RN

Telephone +44(0)1246 268080 Fax +44(0)1246 260003



14.29