

Output Torque Range
1.53Nm to 1.77Nm

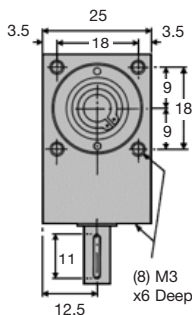
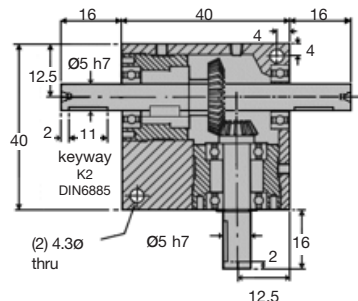
Ratio
1:1 - 2:1

Gearboxes

HPCBLHT20

Heavy Duty, Hardened Bevel Tee

WEIGHT	0.12 Kg
BACKLASH	1° approx
HOURS LIFE	12000 hr
MAX INPUT SPEED	4000 rpm
MATERIAL:	
CASE MAT'L	Aluminium HE30TF
BEVEL MAT'L	655M13 Case/HD (EN36)
GREASED FOR LIFE	Shell Alvania



N.m.	RPM Input	Reduction ratio	
		1:1	2:1
Output Torque	3000	0.66	0.53
	2000	0.72	0.58
	1000	0.88	0.70
	500	1.00	0.80
	100	1.35	1.08
	50	1.48	1.18
	10	1.77	1.41

DISCOUNTS	
1 - 5	List Price
6 - 19	-5%
20 - 49	-10%
50 - 99	-15%
100 +	-20%

PART NUMBER	Ratio	% Efficiency	Max Input Speed	Max Output Speed	Module	PRICE EACH 1-5
HPCBLHT20-1	1:1	88	4000	4000	0.6	£142.64
HPCBLHT20-2	2:1	88	4000	2000	0.6	£142.64

Other Info.

Testing in your application is necessary.

You will need to assess duty, cycles and confirm gearbox suitability with your own calculations. Torque figures are to be used for guidance only.

Unit 14, Foxwood Industrial Park, Foxwood Rd. Chesterfield, Derbyshire S41 9RN
Telephone +44(0)1246 268080 Fax +44(0)1246 260003



1.37

Bevel Gearboxes

HEAVY DUTY, HARDENED BEVEL TEE

HPCBLHT20